



BX

**ROBUST AND
RELIABLE FOR
RESIDENTIAL
SETTINGS.**

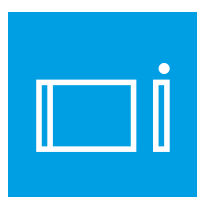
CAME 

[CAME.COM](https://www.came.com)





Renewed design, equipped with the latest electronics, BX is the reliable solution for residential environment and suitable for intensive use conditions.



BX

MAIN FEATURES

- TWO VERSIONS AVAILABLE, both on 230 V, for sliding gates weighing up to 800 kg and up to 14-m long.
- NEW CONTROL BOARD with push keys and display for easy settings.
- SELF-DIAGNOSING safety devices.
- ROLLING CODE AND TWIN RADIO DECODING up to 250 user.
- MEMORY ROLL MODULE to save and load the configuration data and transmitters.
- DESIGNED FOR CAME KEY SLOT for advanced configurations and settings via smartphone or tablet.
- DESIGNED FOR CAME Connect TECHNOLOGY, for remote control and advanced management.

THE ELETRONIC BOARD: NEW DESIGN AND HIGHER EFFICIENCY

The new ZBX7N electronics enable many extra functions, available as additional modules to be plugged directly on the control boards.

DESIGNED FOR TOUGH CONTEXTS

RIO SYSTEM

wireless technology is the CAME solution for installing all the control and safety devices through radio connection, with no need of cables.

TRANSPONDER READER AND KEYBOARD

directly connected to control board R800/R700 slot

ENERGY SAVING MODULE

for low consumption during standby.

RSE MODULE

for paired mode, allows easy installation and configuration of double-operator gates as "master & slave" system.

OPENING DIRECTION SETTING

available as a quick function on the display, without modifying the motor's wiring.

MANEUVERS COUNTER

To always have the updated maneuvers count, making the system maintenance easier.



CAMECONNECT

CLOUD CONNECTED TECHNOLOGY

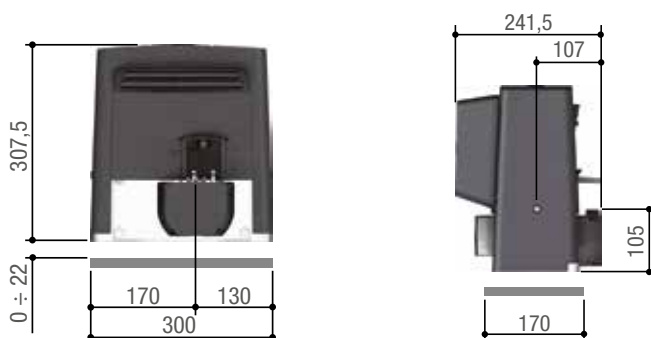
CAME CONNECT is the cloud system that allows you to remotely manage the automation system via a mobile device or through a PC with an Internet connection.

Using a "Gateway" device that is locally installed onto the system, the operator will be connected to a CAME certified world wide network accessible through a dedicated user platform.

CAME KEY, the next generation working tool has arrived. No longer are you required to spend time on your knees, in the pouring rain, configuring the control board of the automation system. CAME KEY is a local Wi-Fi interface that can communicate directly with your control board, allowing you to manage configuration using a smartphone or tablet with no need of an Internet connection.



THE COMPLETE RANGE



Operational limits

MODELS	801MS-0020	801MS-0030	801MS-0060
Max. length of leaf (m)	14	14	14
Max. weight of leaf (kg)	400	800	800

Technical characteristics

MODELS	801MS-0020	801MS-0030	801MS-0060
Protection rating (IP)	44	44	44
Power supply (V - 50/60 Hz)	230 AC	230 AC	230 AC
Power supply to motor (V)	230 AC 50/60 Hz	230 AC 50/60 Hz	230 AC 50/60 Hz
Absorption (A)	2,6	2,4	2,4
Power (W)	200	300	300
Manouvering speed (m/min)	10	10	10
Duty/cycle (%)	300	30	30
Thrust (N)	800	800	800
Operating temperature (°C)	-20 ÷ +55	-20 ÷ +55	-20 ÷ +55
Motor's heat protection (°C)	150	150	150

● 120 - 230 V AC

© CAME SPA - KADENAAE18 - 2019 - EN
CAME si riserva il diritto di apportare modifiche al presente documento in qualsiasi momento. Riproduzione anche parziale vietata.

CAME

CAME S.p.A.
Via Martiri della Libertà, 15
31030 Dosson di Casier
Treviso - ITALY

CAME.COM



We are a leading multinational supplier of integrated high-tech solutions for automating residential, public and urban settings, which generate intelligent spaces for the wellbeing of people.

- GATES AUTOMATION
- INTERCOM SYSTEMS
- BURGLAR ALARM SYSTEMS
- HOME AUTOMATION
- THERMOREGULATION
- BLINDS AND AWNINGS AUTOMATION
- GARAGE AND INDUSTRIAL DOORS
- AUTOMATIC DOORS
- TURNSTILES AND ACCESS CONTROL
- BOLLARDS AND PERIMETER SECURITY
- PARKING SYSTEMS AND ROAD BARRIERS

